



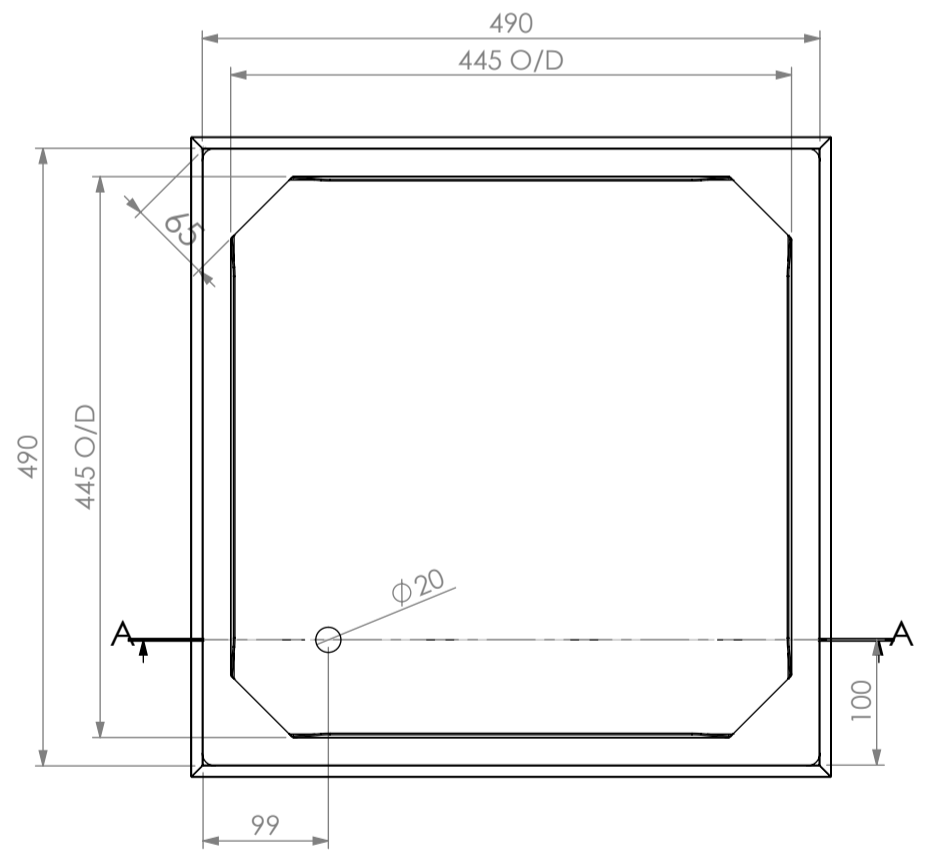
# SIMPLY STAINLESS

Modular Sinks, Tables & Shelving



\*Sinkbench not included.

SPECIFICATION	
Tops	<ul style="list-style-type: none"> <li>- High quality 304 grade stainless steel.</li> <li>- 1.2mm gauge, no. 4 Finish.</li> <li>- 20mm finger hole for removal.</li> </ul>



20	Sink Bowl Cover		
	Product Code	Dimensions (mm)	Unit weight (Kg)
	20-SBC	490x490x25	

